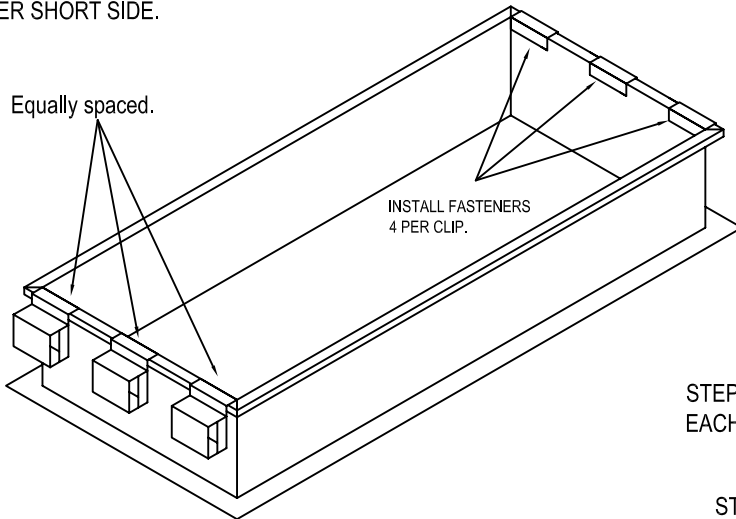
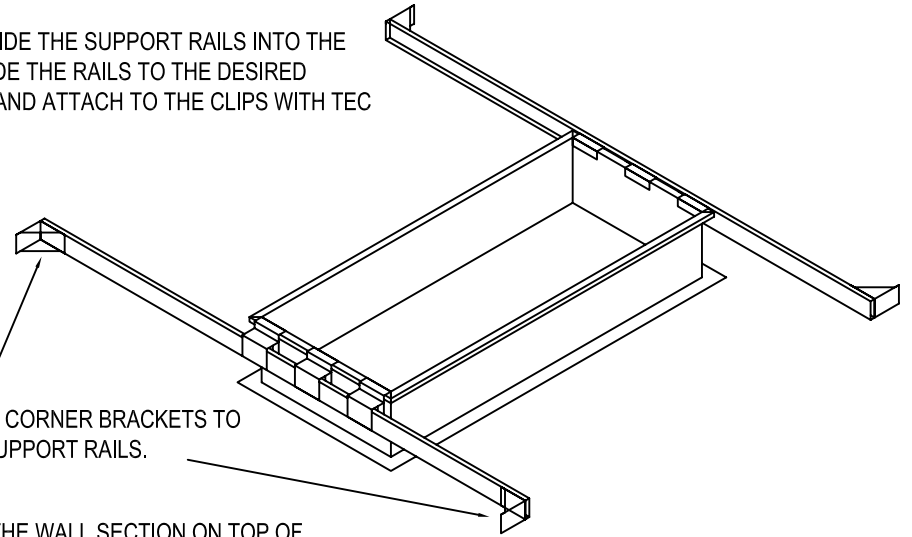


# "SKYLINE 2" INSTALLATION INSTRUCTIONS

STEP 1. INSTALL THE SUPPORT RAIL CLIPS ON THE SHORT SIDE OF THE ROOF CURB. (3) PER SHORT SIDE.

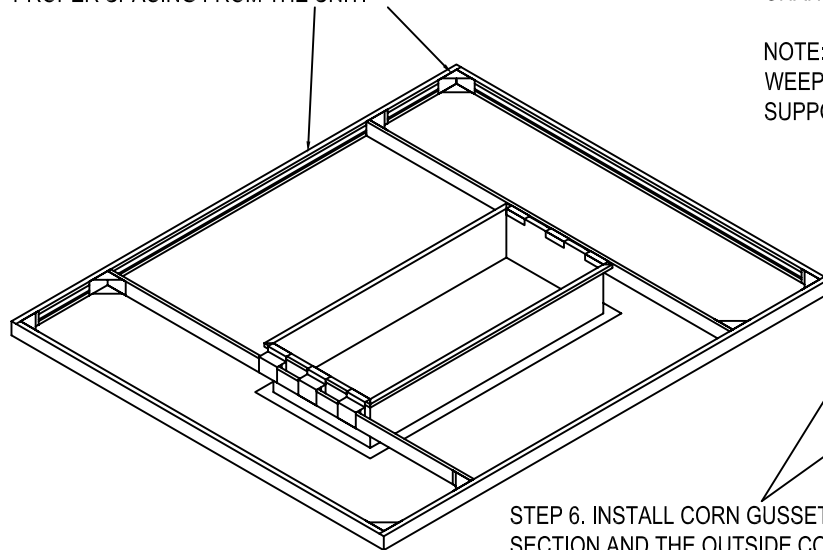


STEP 2. SLIDE THE SUPPORT RAILS INTO THE CLIPS. SLIDE THE RAILS TO THE DESIRED POSITION AND ATTACH TO THE CLIPS WITH TEC SCREWS.



STEP 3. ATTACH THE CORNER BRACKETS TO EACH END OF THE SUPPORT RAILS.

STEP 4. INSTALL THE WALL SUPPORT CHANNELS AND CORNER BRACKETS. ALLOW FOR THE PROPER SPACING FROM THE UNIT.

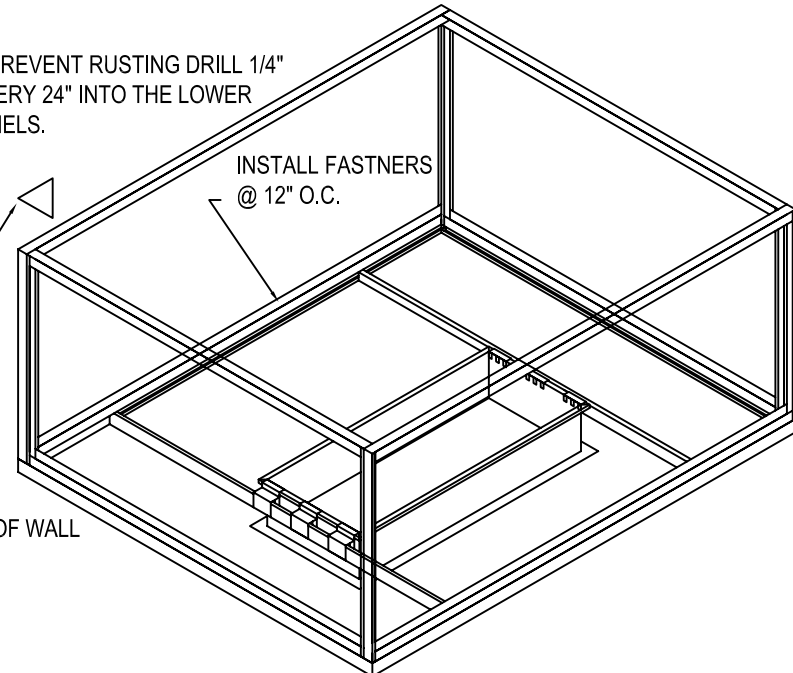


STEP 5. INSTALL THE WALL SECTION ON TOP OF THE WALL SUPPORT CHANNELS. THE BOTTOM OF THE WALL SECTIONS WILL HAVE THE TRACK FOR THE DOOR PANELS UN-INSTALLED. PLACE FASTENERS @12" O.C. INTO THE LOWER SUPPORT CHANNELS.

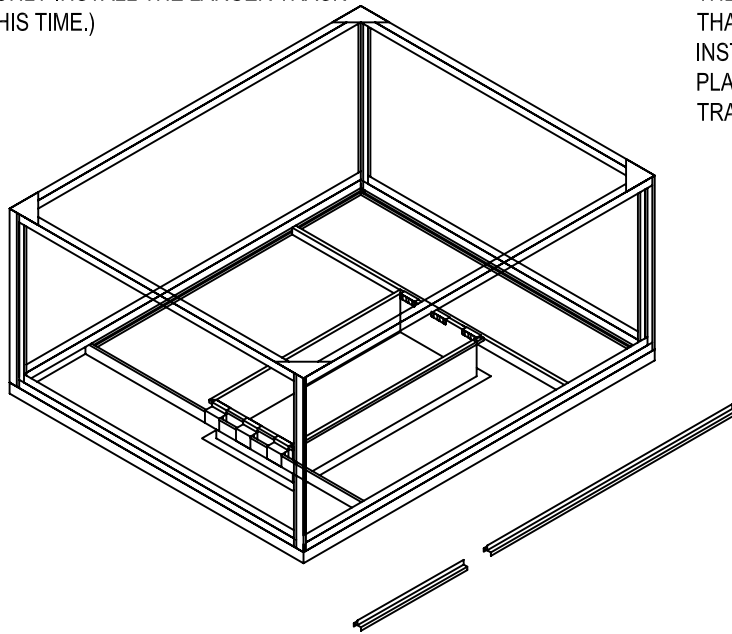
NOTE: IF THERE ARE ONLY 3 WALLS THERE WILL BE SUPPORT CHANNELS THAT GET INSTALLED ON THE END OF THE WALL AND ANGLE DOWN TO THE WALL SUPPORT CHANNELS.

NOTE: TO HELP PREVENT RUSTING DRILL 1/4" WEEP HOLES EVERY 24" INTO THE LOWER SUPPORT CHANNELS.

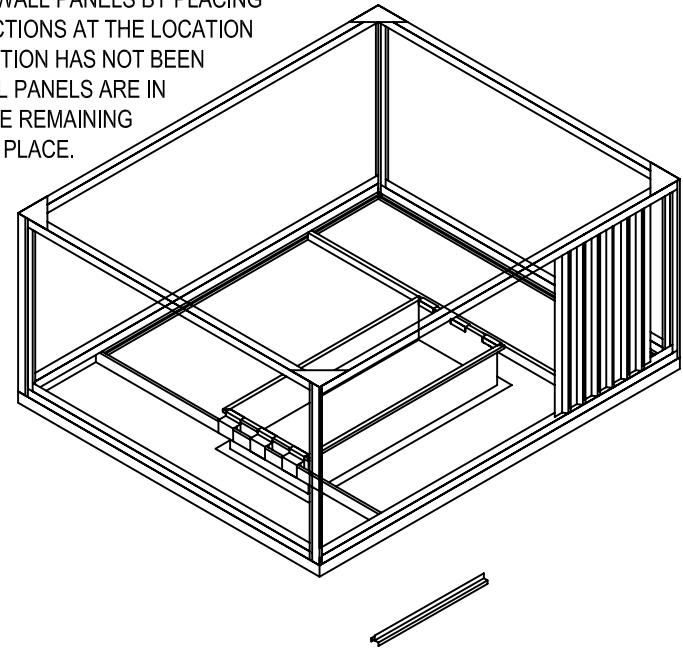
STEP 6. INSTALL CORN GUSSETS TO TOP OF WALL SECTION AND THE OUTSIDE CORNERS.



STEP 7. SNAP THE BOTTOM SUPPORT TRACK INTO PLACE. (ONLY INSTALL THE LARGER TRACK SECTION AT THIS TIME.)



STEP 8. INSTALL THE WALL PANELS BY PLACING THEM IN TO WALL SECTIONS AT THE LOCATION THAT THE TRACK SECTION HAS NOT BEEN INSTALLED. AFTER ALL PANELS ARE IN PLACE THEN SNAP THE REMAINING TRACK SECTION INTO PLACE.



**Eclipse Screen Systems**

**Sales Office**

6500 W. 110th, Suite 103  
(913) 338-4232  
[www.eclipsescreensystems.com](http://www.eclipsescreensystems.com)

**Manufacturing Locations**

Rossville, GA and El Dorado, KS